

High Power 3 Port Polarization Maintaining Optical Circulator-1750nm

Features

- Low Insertion Loss
- High Extinction Ratio & High Isolation
- High Stability and Reliability

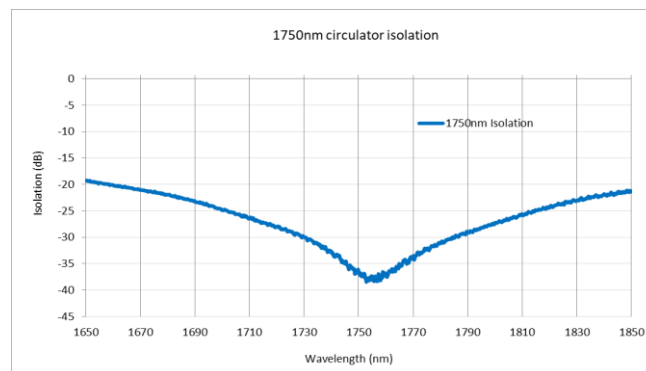
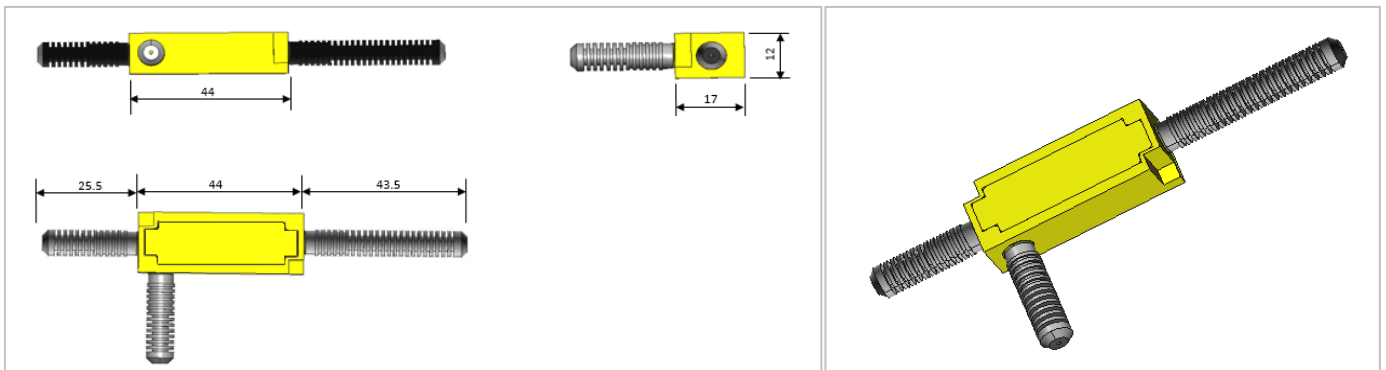
Applications

- High Power Fiber Laser
- Fiber Equipment

Specifications

Parameters	Unit	Values
Center Wavelength	nm	1725, 1750
Insertion Loss, 23°C, $\lambda_c \pm 10\text{nm}$	dB	≤ 1.2 , Typ. 0.8
Isolation, 23°C, $\lambda_c \pm 10\text{nm}$	dB	≥ 20
Extinction Ratio	dB	≥ 18
Crosstalk	dB	≥ 40
Return Loss	dB	≥ 50
Fiber Type	--	PM1550, PM1950, PM-GDF-10/130-2000-M, PLMA-GDF-25/400-10FA
Axis Alignment (F type)	--	Fast Axis Blocked, Slow Axis Pass
Axis Alignment (B type)	--	Both Axis Pass
Average Optical Power	W	1, 2, 5, 10, 20, 30
Peak Power for ns Pulse	KW	10
Operating Temperature	°C	0 ~ +65
Storage Temperature	°C	-40 ~ +85
Package	mm	12x44x17

Package Dimensions



Ordering Information

PM CIR ①-②-③③③-④④④-⑤-⑥⑥⑥-⑦⑦-⑧⑧⑧⑧⑧⑧⑧-⑨⑨

①	Port	3=3 Port;
②	Type	F=Fast Axis Blocked; B=Both Axis Pass;
③	Wavelength	1725; 1750 ;
④	Pigtail Type	250=250µm Fiber;
⑤	Fiber Type	5=PM1550; P9=PM1950; P10=PM-GDF-10/130-2000-M; P25=PLMA-GDF-25/400-10FA;
⑥	Length	0.8=0.8m;
⑦	Connector	NE=None; FA=FC/APC; FC=FC/UPC; SA=SC/APC; SC=SC/UPC; XX=Other;
⑧	Package Size	12x44x17;
⑨	Power Handling	1W; 2W; 5W; 10W; 20W; 30W;